



Series 120 - Nylon Guide



Series C120 - Nylon Guide (conductive)

Calmark offers the Series 120 and C120 snap-in PCB Plastic Card Guide.

### 120 FEATURES

- Easy and secure snap-in design
- Extra deep guide
- Wide lead-in for easy card entry
- No mounting hardware required
- Narrow profile for excellent airflow
- Mid-span mounting point option for greater stability
- Available in 1.6 (.063) and 2.4 (.094) board gap widths
- Economical

Series C120 includes the above features plus:

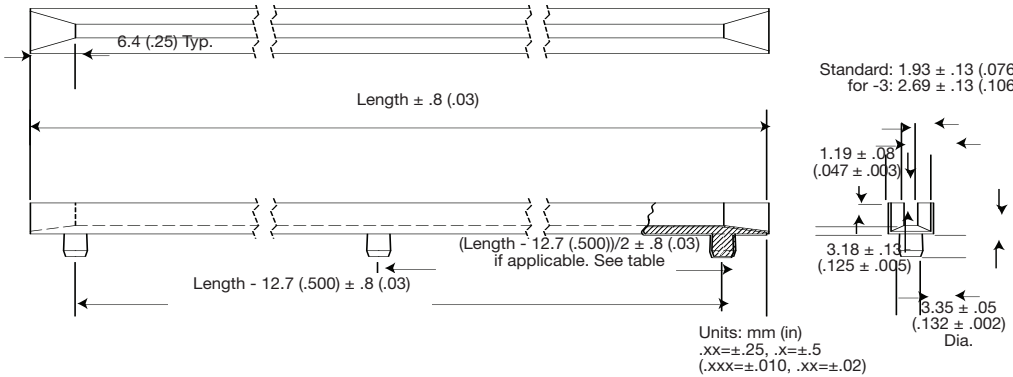
- Molded in conductive material
- Provides surface resistivity of  $10^5$  per square

### MATERIAL

- Series 120:** Nylon 6/6 or 6. Meets UL94V-2 self extinguishing to flame or UL94V-0 (see part number configuration). May be used at 121°C (250°F) continuously. Resistant to alkalis, weak acids and common solvents.
- Series C120:** 10% Graphite Filled Polycarbonate. Meets UL94V-2.

### COLOR

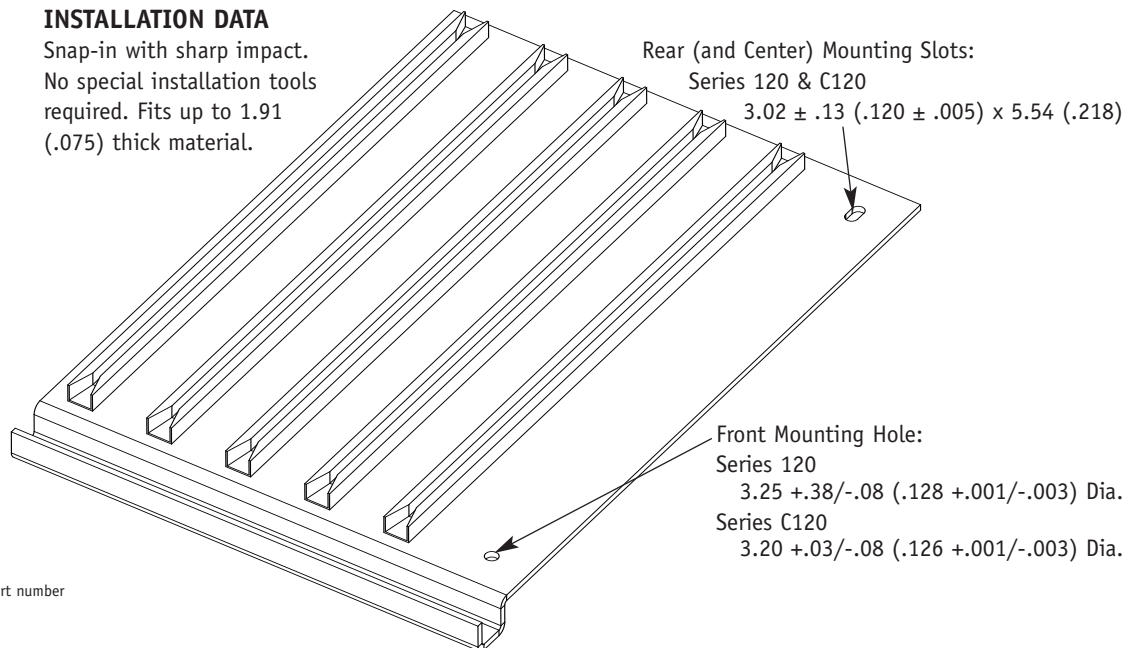
- Series 120:** Standard color is natural (white). For other colors append BLK, BRN, RED, ORG, YEL, GRN, BLU, VIO or GRY to part number.
- Series C120:** available in black only.



| Part No.  | Length        |
|-----------|---------------|
| 120-400   | 101.6 (4.00)  |
| 120-600   | 152.4 (6.00)  |
| 120-700   | 177.8 (7.00)* |
| 120-700X  | 177.8 (7.00)  |
| 120-850   | 215.9 (8.50)* |
| 120-850X  | 215.9 (8.50)  |
| 120-950   | 215.9 (9.50)* |
| C120-400  | 102.1 (4.02)  |
| C120-600  | 153.2 (6.03)  |
| C120-700  | 178.8 (7.04)* |
| C120-700X | 178.8 (7.04)  |
| C120-850  | 216.9 (8.54)* |
| C120-850X | 216.9 (8.54)  |
| C120-950  | 242.6 (9.55)  |

### INSTALLATION DATA

Snap-in with sharp impact. No special installation tools required. Fits up to 1.91 (.075) thick material.



\*indicates presence of a mid mounting post.  
For 2.4 (.094) thick pcb, include a "-3" suffix to part number  
For UL94V-0 option add "V0" prefix to part number