



U.S. TOYO FAN CORPORATION

4941 Walnut Grove Ave. San Gabriel, CA 91776

Tel. - Voice (626) 287-5297 Fax (626) 287-5328

Web Site: www.ustoyofan.com email: tech@ustoyofan.com

Preliminary

US120B32 Series High Performance Blower 120mm x 32mm

Materials:

Impeller & Frame - Black PBT (UL94V-0)

Bearings - Dual Ball

Lead Wires: AWG #24 UL1007 or equiv.

11.8 inches long
Red = Positive
Black = Minus

Weight: 11 oz. (312.2 g)

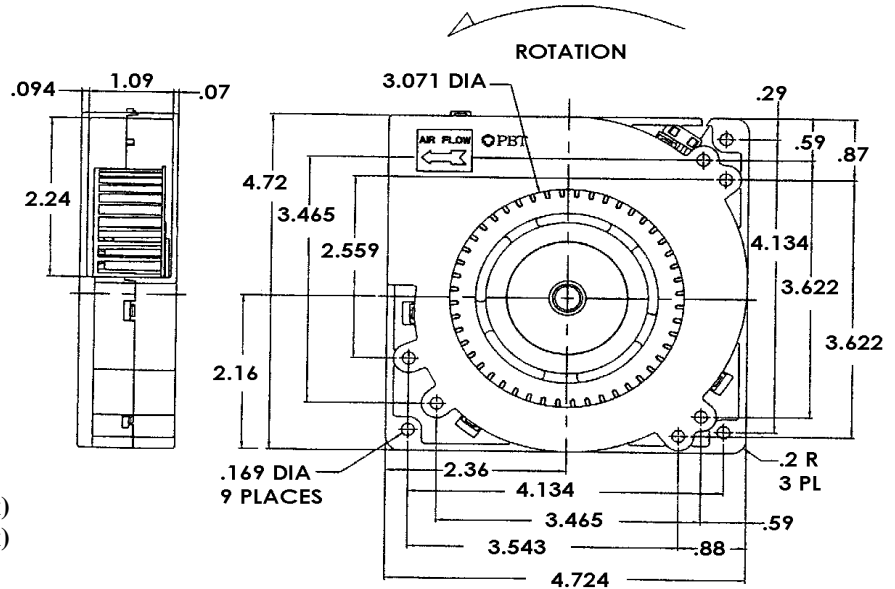
Operating Temp: -10 to +70 degrees C

Operating Voltages:

12 VDC Nominal (8.0 VDC min to 13.8 VDC max)

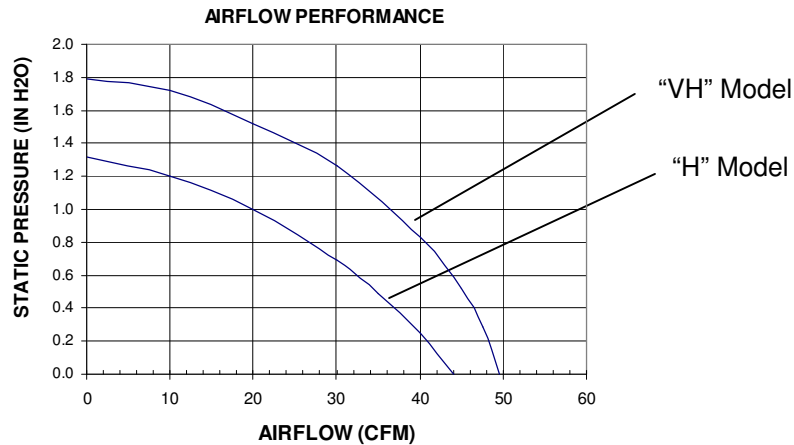
24 VDC Nominal (12.0 VDC min to 27.6 VDC max)

48 VDC Nominal (24.0 VDC min to 52.8 VDC max)



Safety Approvals:

UL (PENDING) & CE



SPECIFICATIONS

MODEL NO.	VOLTAGE	CURRENT	SPEED	NOISE	AIRFLOW
US120B3212H	12 VDC	1.18 A	3000 RPM	56.1 dBA	44.0 CFM
US120B3224H	24 VDC	0.81 A	3000 RPM	56.1 dBA	44.0 CFM
US120B3248H	48 VDC	0.69 A	3000 RPM	56.1 dBA	44.0 CFM
US120B3212VH	12 VDC	1.75 A	3500 RPM	60.9 dBA	49.5 CFM
US120B3224VH	24 VDC	1.02 A	3500 RPM	60.9 dBA	49.5 CFM
US120B3248VH	48 VDC	0.83 A	3500 RPM	60.9 dBA	49.5 CFM