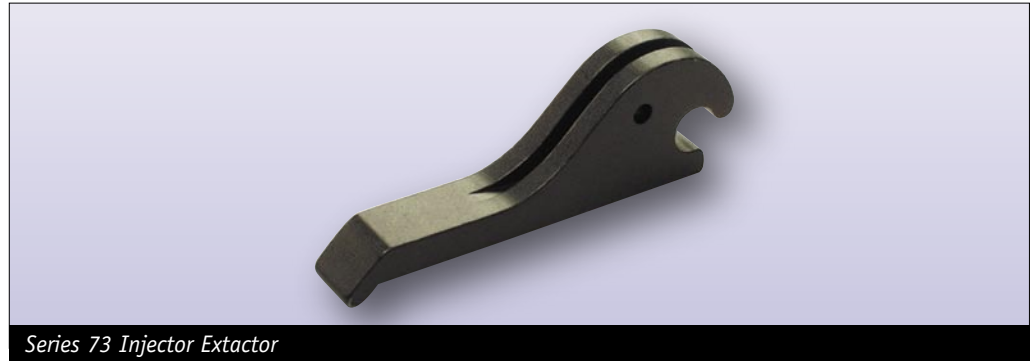


FEATURES

- Lightweight
- Strong
- Clear or black anodize
- Hard coat available
- Pin included

APPLICATIONS

- Provides ease of injection and extraction of PCBs



Series 73 Injector Extractor

MATERIAL

EXTRACTOR

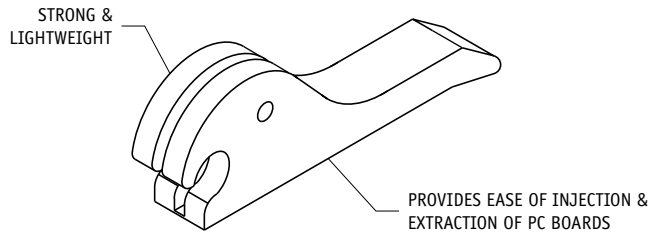
Aluminum, 6063-T6

PIN

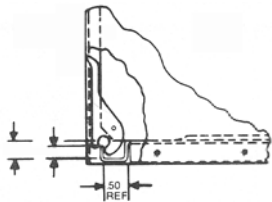
Stainless Steel, Passivated

WEIGHT

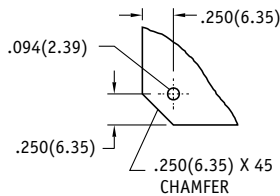
0.017 lbs ea.



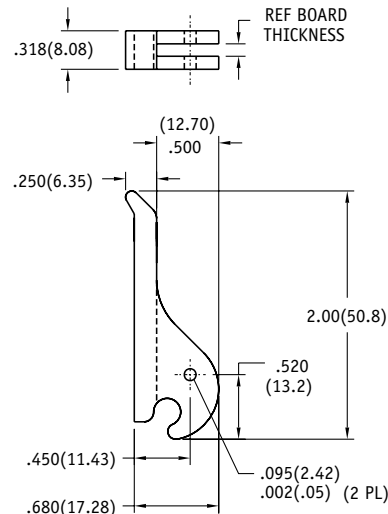
3 Inch Long Extractor Also Available



CARD CAGE FRONT CHANNEL
DETAIL FOR SERIES 73 AND 87



BOARD MOUNTING DATA



NOTE ON DIMENSIONS:
ENGLISH LISTED FIRST
FOLLOWED BY METRIC
IN PARENTHESES

TOLERANCES:
UNLESS OTHERWISE SPECIFIED
.XXX(.XX)=.01(.25)
.XX (.X) =.02(.5)

Part Number Code (See example below)

Series 73 Injector Extractor

73 -x -x

Board Thickness

Select a dash number from Board Thickness Table ② _____

Finish

Select dash number from Finish Table ① _____

Part Number Code example: 73-2-3

Series 73 extractor for .063(1.60), hard black anodized.

① FINISH TABLE

DASH #	FINISH
-1	NONE
-2	CLEAR ANODIZE, MIL-A-8625, TYPE II, CL1
-3	HARD ANODIZE, MIL-A-8625, TYPE III, CL2
NONE	BLACK ANODIZE, MIL-A-8625, TYPE II, CL1

② BOARD THICKNESS TABLE

DASH #	BOARD THICKNESS
-1	.031(0.79)
-2	.063(1.60)
-3	.094(2.39)
-4	.125(3.18)