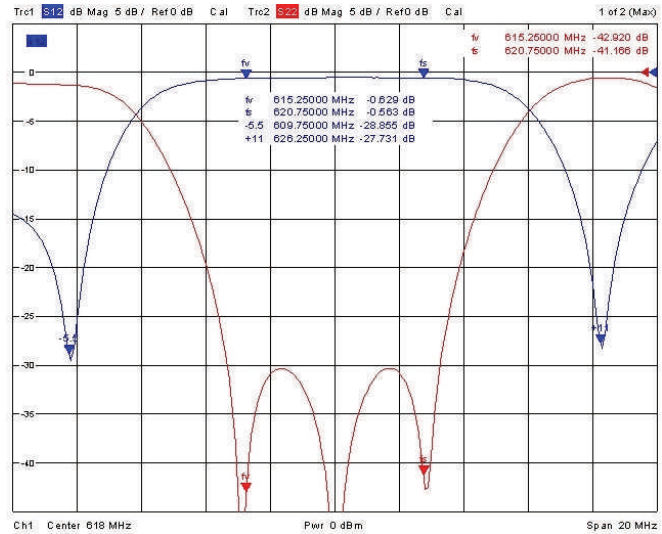
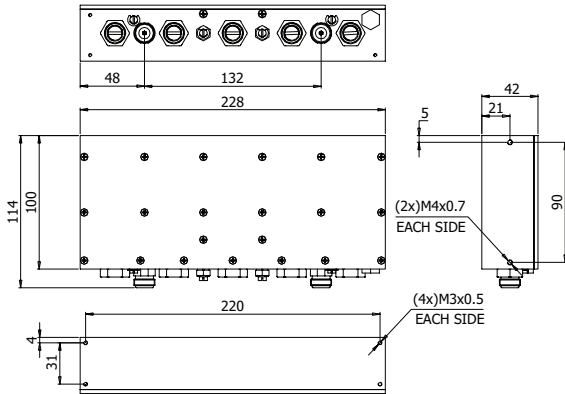




# UHF 100W ATV filter

Model: PBN1015



## TECHNICAL DATA

Configuration	3 bandpass cavities + 2 notches
Max power output	120 W (P.S.)
Frequency range	470 MHz to 860 MHz
Standards	B,G,M,I,K
Insertion loss (Video c.)	< 0.7 dB
Return loss	> 30 dB
2 <sup>nd</sup> harmonic attenuation	> 50 dB
Notches attenuations	> 30 dB
Group delay variation	≤ 100 nS
Temperature stability	≤ 5 kHz / K
Ambient temperature range	-10°C/+50°C
Weight	1,8 kg
Working position	Any
Dimensions mm	228 x 114 x 42

## IN/OUT connectors

	P/N
N female	PBN1015
SMA	PBN1015/S

## OPTIONS

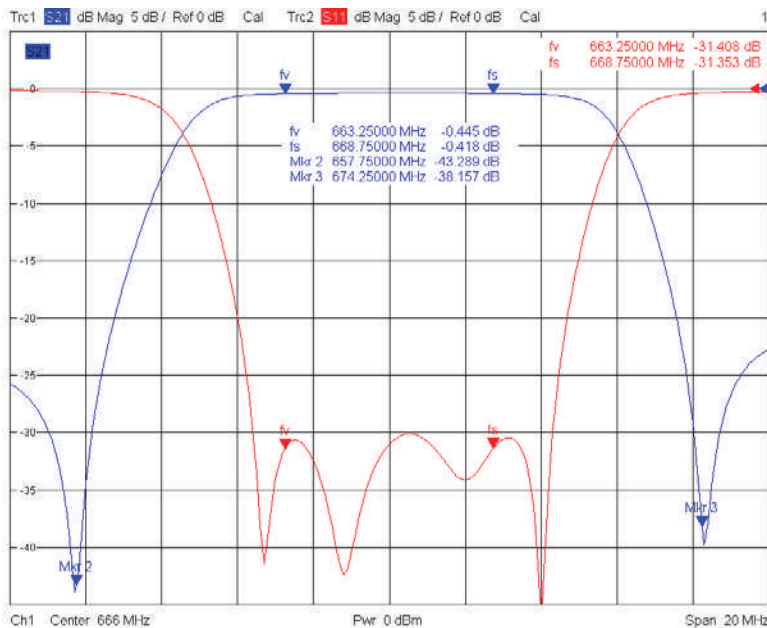
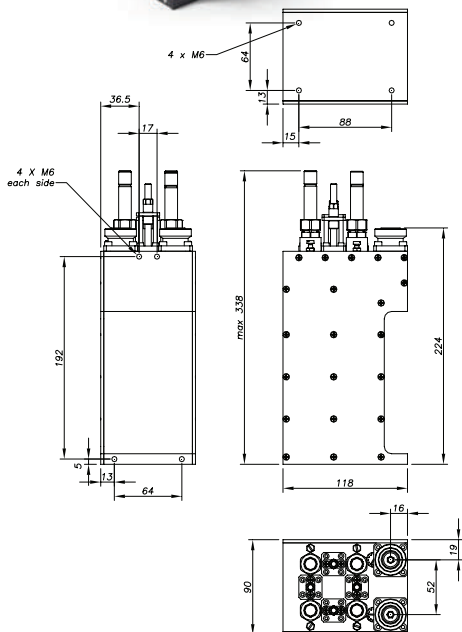
- Suitable for analogue TV
- Coax technique
- For indoor application
- Output monitor connector
- 19" Standard rack





# UHF 500W ATV filter

Model: PBN38/12-4C/16



## TECHNICAL DATA

Configuration	4 cavities elliptical
Max power output	550W (P.S.)
Frequency range	470 MHz to 860 MHz
Standards	B,G,M,I,K
Insertion loss (Video c.)	< 0.5 dB
Return loss	> 30 dB
2 <sup>nd</sup> harmonic attenuation	> 50 dB
Notches attenuations	> 40 dB
Group delay variation	≤ 100 nS
Temperature stability	≤ 5 kHz / K
Ambient temperature range	-10°C/+50°C
Weight	3 kg
Working position	Any
Dimensions/mm	Max 338 x 118 x 90

## IN/OUT connectors

	P/N
N female	PBN38/12-4C/N
7/16 female	PBN38/12-4C/16
Unflanged 7/8"	PBN38/12-4C/RL78

## OPTIONS

- Suitable for analogue TV
- Coax technique
- For indoor application

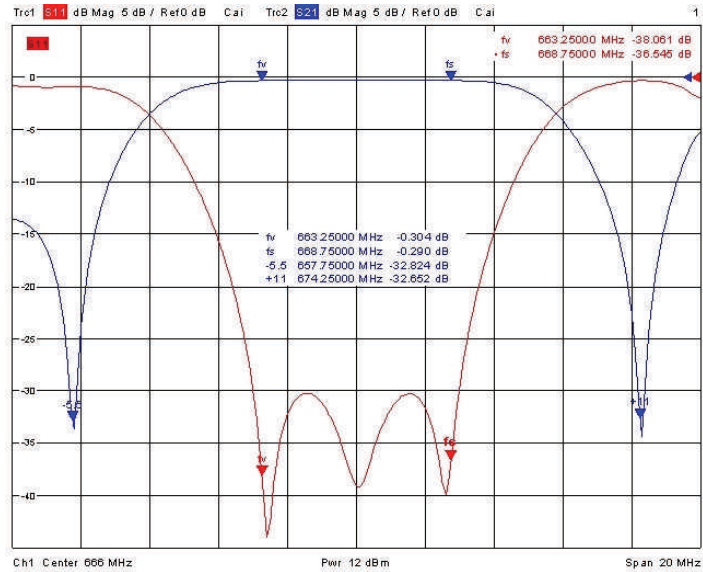
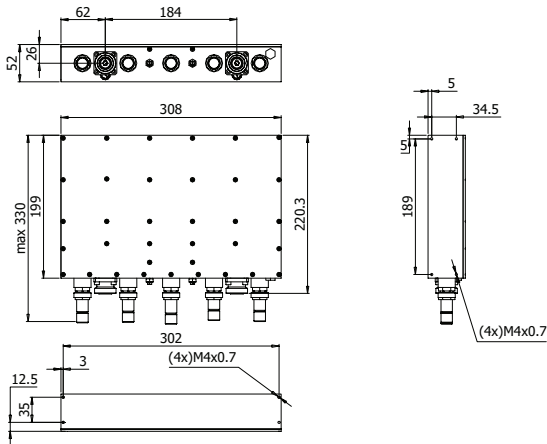
- Output monitor connector
- 19" Standard rack
- Mixed connectors





# UHF 1kW ATV filter

Model: PBN60/18-5/16



TECHNICAL DATA	
Configuration	3 bandpass cavities + 2 notches
Max power output	1,2 kW (P.S.)
Frequency range	470 MHz to 860 MHz
Standards	B,G,M,I,K
Insertion loss (Video c.)	< 0.4 dB
Return loss	> 30 dB
2 <sup>nd</sup> harmonic attenuation	> 50 dB
Notches attenuations	> 30 dB
Group delay variation	≤ 100 nS
Temperature stability	≤ 5 kHz / K
Ambient temperature range	-10°C/+50°C
Weight	4,5 kg
Working position	Any
Dimensions/mm	Max 330 x 308 x 52
Available connectors	7/16 female

OPTIONS	
- Output monitor connector	
- 19" Standard rack	

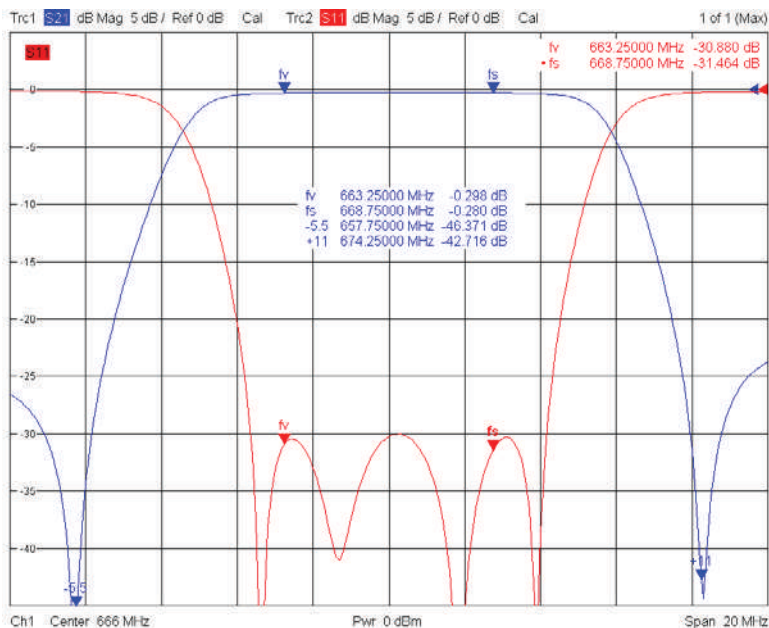
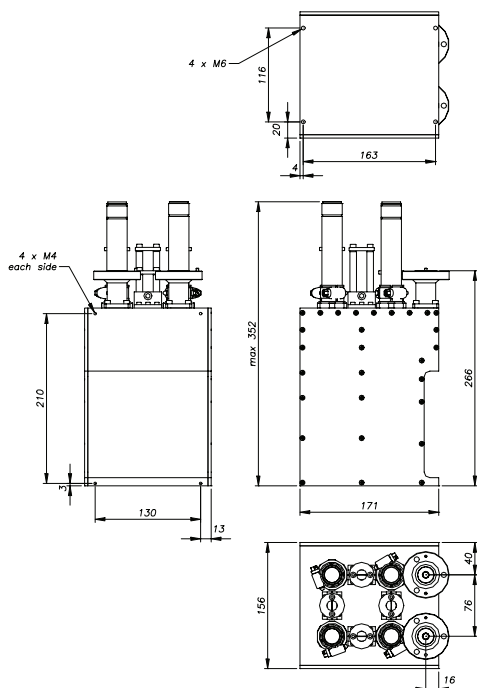
- Suitable for analogue TV
- Coax technique
- For indoor application





# UHF 2kW ATV filter

Model: PBN84/25-4C/8



TECHNICAL DATA	
Configuration	4 cavities elliptical
Max power output	2,5 kW (P.S.)
Frequency range	470 MHz to 860 MHz
Standards	B,G,M,I,K
Insertion loss (Video c.)	< 0.3 dB
Return loss	> 30 dB
2 <sup>nd</sup> harmonic attenuation	> 50 dB
Notches attenuations	> 40 dB
Group delay variation	≤ 100 nS
Temperature stability	≤ 4 kHz / K
Ambient temperature range	-10°C/+50°C
Weight	6,5 kg
Working position	Any
Dimensions /mm	Max 352 x 171 x 156

IN/OUT connectors	P/N
Unflanged 7/8"	PBN84/25-4C/RL78
EIA 7/8"	PBN84/25-4C/8

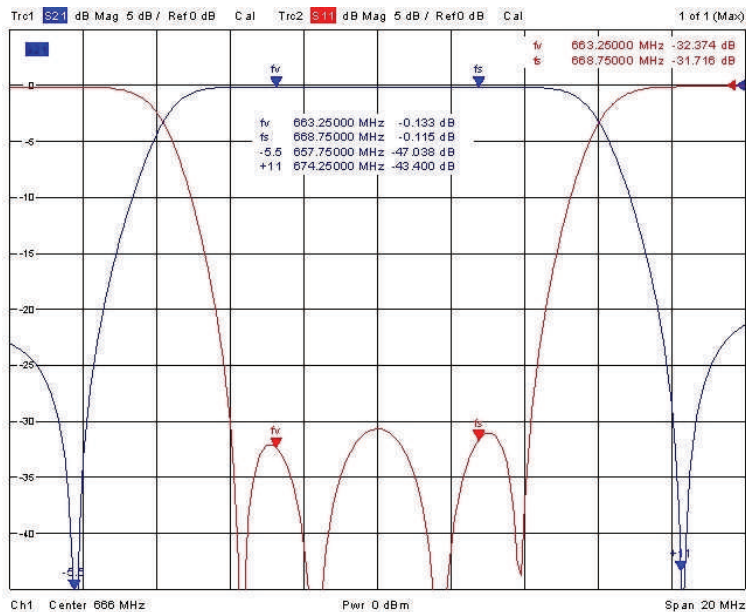
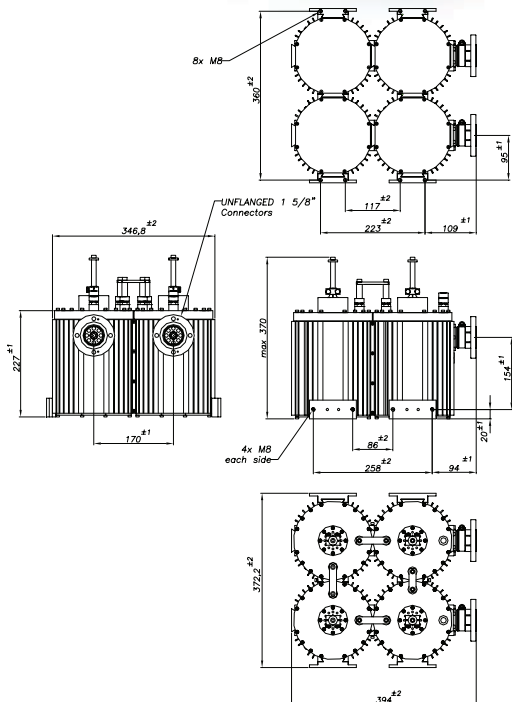
OPTIONS
- Output monitor connector
- 19" Standard rack
- Mixed connectors





# UHF 5kW ATV filter

Model: PBN153/45-4C/58



## TECHNICAL DATA

Configuration	4 cavities elliptical
Max power output	6 kW (P.S.)
Frequency range	470 MHz to 860 MHz
Standards	B,G,M,I,K
Insertion loss (Video c.)	< 0.2 dB
Return loss	> 30 dB
2 <sup>nd</sup> harmonic attenuation	> 50 dB
Notches attenuations	> 40 dB
Group delay variation	≤ 50 nS
Temperature stability	≤ 2 kHz / K
Ambient temperature range	-10°C/+50°C
Weight	20 kg
Working position	Any
Dimensions mm	Max 370 x 372 x 394

## IN/OUT connectors

Unflanged 1 5/8"	P/N PBN153/45-4C/RL158
EIA 1 5/8"	P/N PBN153/45-4C/58

- Suitable for analogue TV
- Temperature compensated
- Coax technique
- For indoor application

## OPTIONS

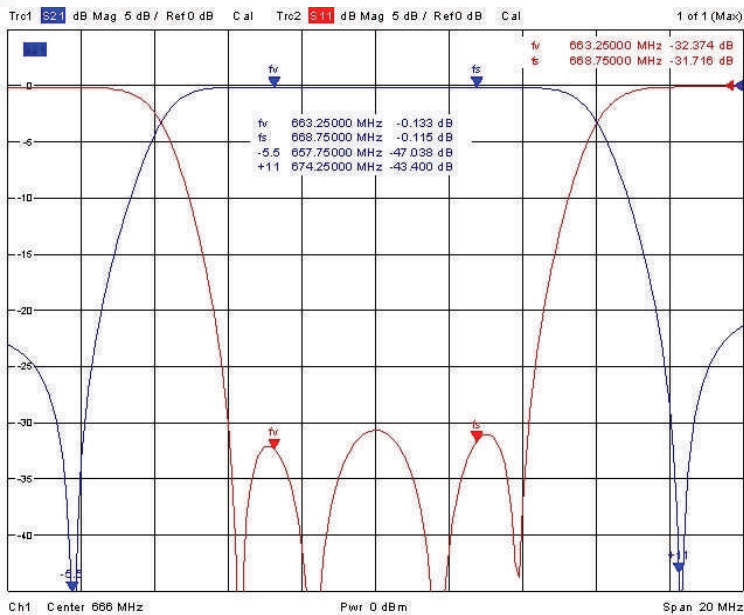
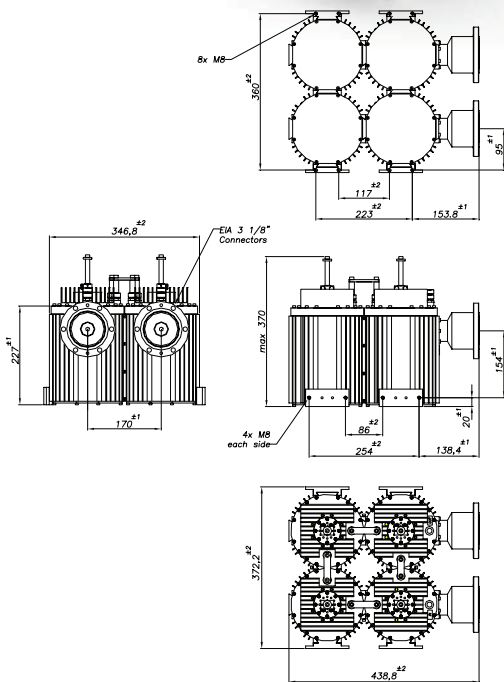
- Output monitor connector
- 19" Standard rack
- Mixed connectors





# UHF 10kW ATV filter

Model: PBN153/45-4C10K/318



## TECHNICAL DATA

Configuration	4 cavities elliptical
Max power output	12 kW (P.S.)
Frequency range	470 MHz to 860 MHz
Standards	B,G,M,I,K
Insertion loss (Video c.)	< 0.2 dB
Return loss	> 30 dB
2 <sup>nd</sup> harmonic attenuation	> 50 dB
Notches attenuations	> 40 dB
Group delay variation	≤ 50 nS
Temperature stability	≤ 2 kHz / K
Ambient temperature range	-10°C/+50°C
Weight	25 kg
Working position	Any
Dimensions mm	Max 370 x 372 x 438

## IN/OUT connectors

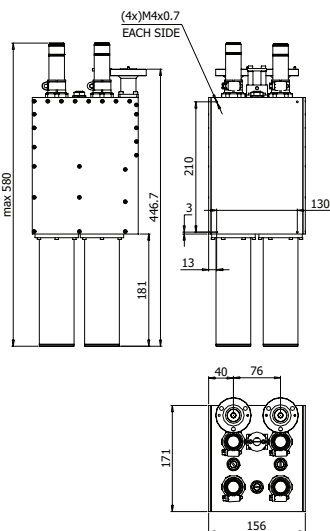
	P/N
Unflanged 3 1/8"	PBN153/45-4C10K/RL318
EIA 3 1/8"	PBN153/45-4C10K/318

- Suitable for analogue TV
- Temperature compensated
- Coax technique
- For indoor application

## OPTIONS

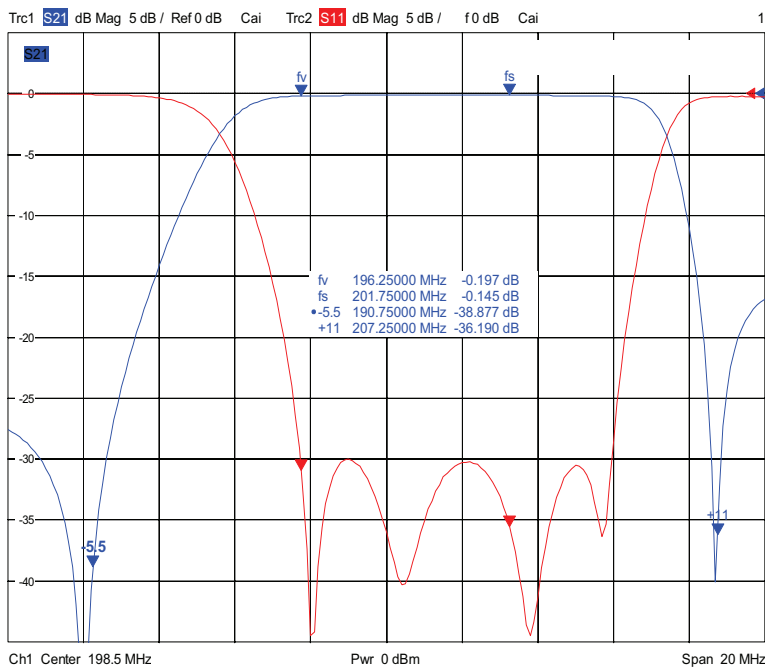
- Output monitor connector
- 19" Standard rack
- Mixed connectors





# VHF 2,5kW ATV filter

Model: PBN84/25-4CV/8



## TECHNICAL DATA

Configuration	4 cavities elliptical
Max power output	3 kW (P.S.)
Frequency range	170 MHz to 230 MHz
Standards	B,G,M
Insertion loss (Video c.)	< 0.2 dB
Return loss	> 30 dB
2 <sup>nd</sup> harmonic attenuation	> 50 dB
Notches attenuations	> 30 dB
Group delay variation	≤ 100 nS
Temperature stability	≤ 4 kHz / K
Ambient temperature range	-10°C/+50°C
Weight	10 kg
Working position	Any
Dimensions mm	Max 580 x 171 x 156

## IN/OUT connectors

## P/N

7/16 female	PBN84/25-4CV/16
Unflanged 7/8"	PBN84/25-4CV/RL78
EIA 7/8"	PBN84/25-4CV/8

## OPTIONS

- Suitable for analogue TV
- Coax technique
- For indoor application

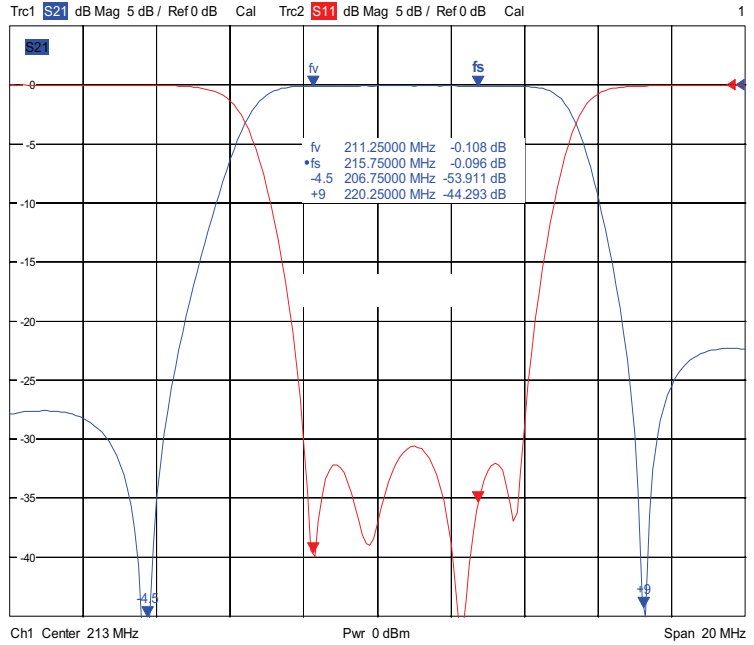
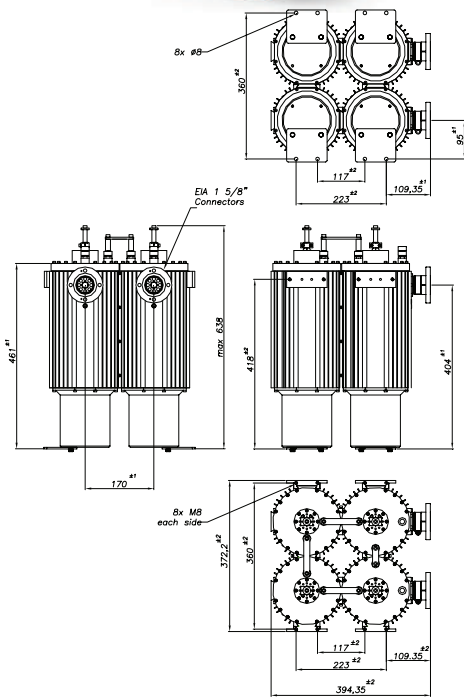
- Output monitor connector
- 19" Standard rack
- Mixed connectors





# VHF 5kW ATV filter

Model: PBN153/45-4CV/58



TECHNICAL DATA	
Configuration	4 cavities elliptical
Max power output	6 kW (P.S.)
Frequency range	170 MHz to 230 MHz
Standards	B,G,M,K,I
Insertion loss (Video c.)	< 0.2 dB
Return loss	> 30 dB
2 <sup>nd</sup> harmonic attenuation	> 50 dB
Notches attenuations	> 30 dB
Group delay variation	≤ 100 nS
Temperature stability	≤ 1 kHz / K
Ambient temperature range	-10°C/+50°C
Weight	35 kg
Working position	Any
Dimensions mm	Max 638 x 372 x 394

IN/OUT connectors	P/N
Unflanged 1 5/8"	PBN153/45-4CV/RL158
EIA 1 5/8"	PBN153/45-4CV/58

- Suitable for analogue TV
- Temperature compensated
- Coax technique
- For indoor application

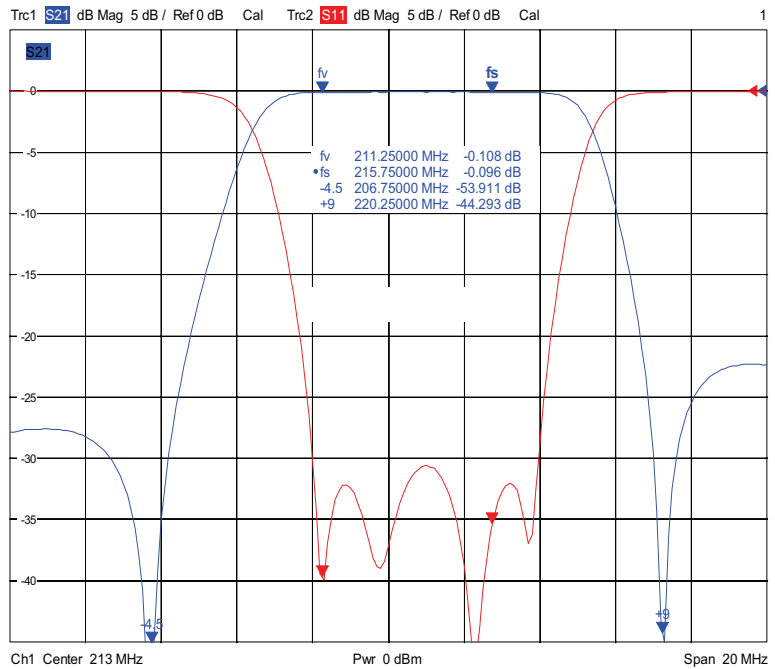
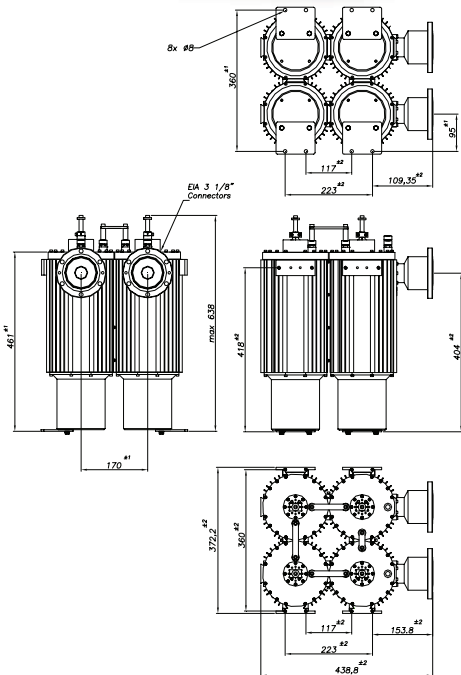
- ### OPTIONS
- Output monitor connector
  - 19" Standard rack
  - Mixed connectors





# VHF 10kW ATV filter

Model: PBN153/45-4CV/318



## TECHNICAL DATA

Configuration	4 cavities elliptical
Max power output	12 kW (P.S.)
Frequency range	170 MHz to 230 MHz
Standards	B,G,M,K,I
Insertion loss (Video c.)	< 0.2 dB
Return loss	> 30 dB
2 <sup>nd</sup> harmonic attenuation	> 50 dB
Notches attenuations	> 30 dB
Group delay variation	≤ 100 nS
Temperature stability	≤ 1 kHz / K
Ambient temperature range	-10°C/+50°C
Weight	36 kg
Working position	Any
Dimensions mm	Max 638 x 372 x 438

## IN/OUT connectors

	P/N
Unflanged 3 1/8"	PBN153/45-4CV/RL318
EIA 3 1/8"	PBN153/45-4CV/318

- Suitable for analogue TV
- Temperature compensated
- Coax technique
- For indoor application

## OPTIONS

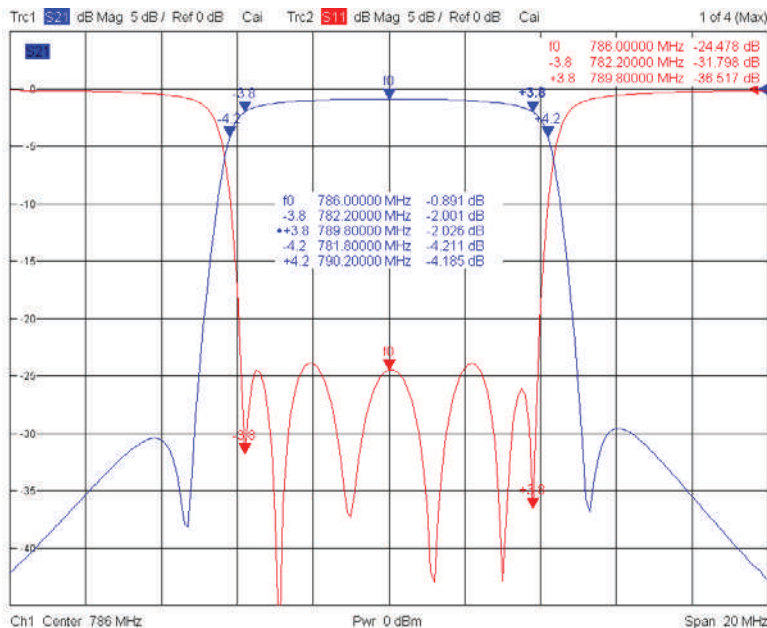
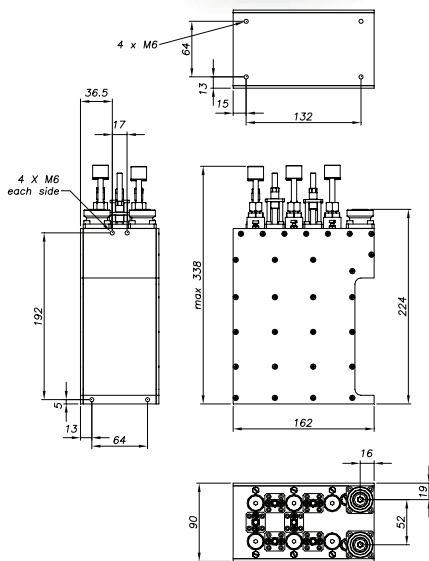
- Output monitor connector
- 19" Standard rack
- Mixed connectors





# UHF 100W DTV 6 Cavities filter

Model: PBN38/12-6C/16



## TECHNICAL DATA

Configuration	6 cavities elliptical
Max power output	100W (rms)
Frequency range	470 MHz to 860 MHz
Standards	6 MHz, 8 MHz
Insertion loss f(0)	< 0.9 dB
Attenuation f(0)± 3,8 MHz	≤ 2 dB (SWR 1.22), ≤ 1,2 dB (SWR 1.18)
Attenuation f(0)± 4,2 MHz	≥ 5 dB (SWR 1.22), ≥ 4,0 dB (SWR 1.18)
Attenuation f(0)± 6 MHz	≥ 32 dB (SWR 1.22), ≥ 28 dB (SWR 1.18)
Attenuation f(0)± 12 MHz	≥ 50 dB (SWR 1.22), ≥ 45 dB (SWR 1.18)
SWR	≤ 1.22
2 <sup>nd</sup> harmonic attenuation	≥ 80 dB
Group delay variation	< 200 ns
Temperature stability	≤ 1,5 kHz / K
Ambient temperature range	-10°C/+50°C
Weight	4 kg
Working position	Any
Dimensions mm	Max 338 x 162 x 90

## IN/OUT connectors

	P/N
N female	PBN38/12-6C/N
7/16 female	PBN38/12-6C/16
Unflanged 7/8"	PBN38/12-6C/RL78

- Suitable for digital (DVB-T.H) and analogue TV
- Temperature compensated
- Coax technique
- For indoor application

## OPTIONS

- Output monitor connector
- 19" Standard rack
- Mixed connectors

