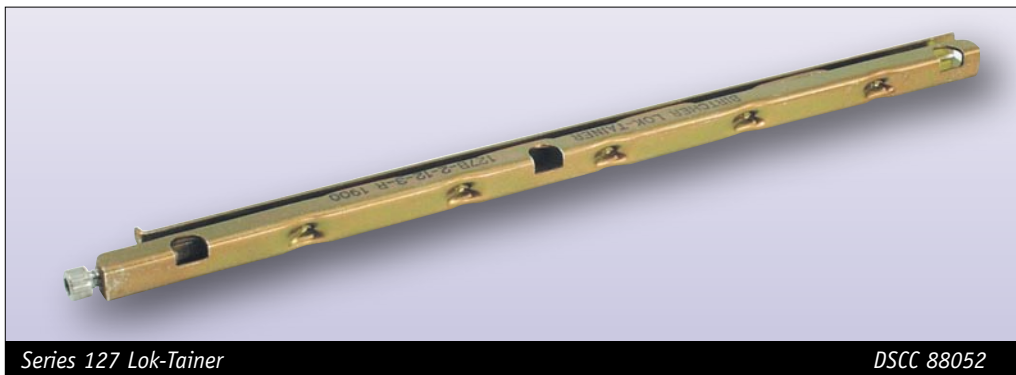


FEATURES

Relative Clamping Force*	
Relative Retention Force*	
Relative Thermal Resistance*	-
Relative Price	
*For mechanical and thermal performance data see the Technical Applications section pages 77-94	



Series 127 Lok-Tainer

DSCC 88052

MATERIAL

HOUSING

.025 (.64mm) thick Beryllium Copper or .024 (.61mm) thick Cold Rolled Steel

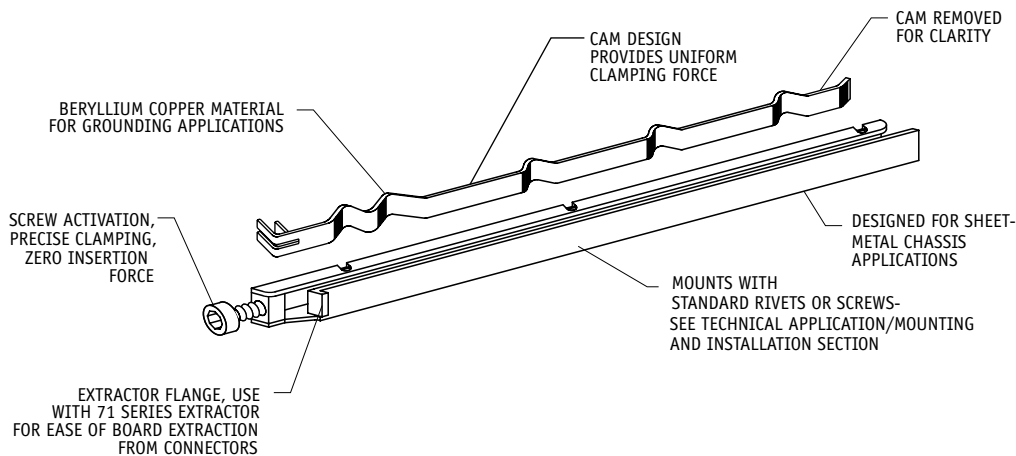
CAM

Beryllium Copper

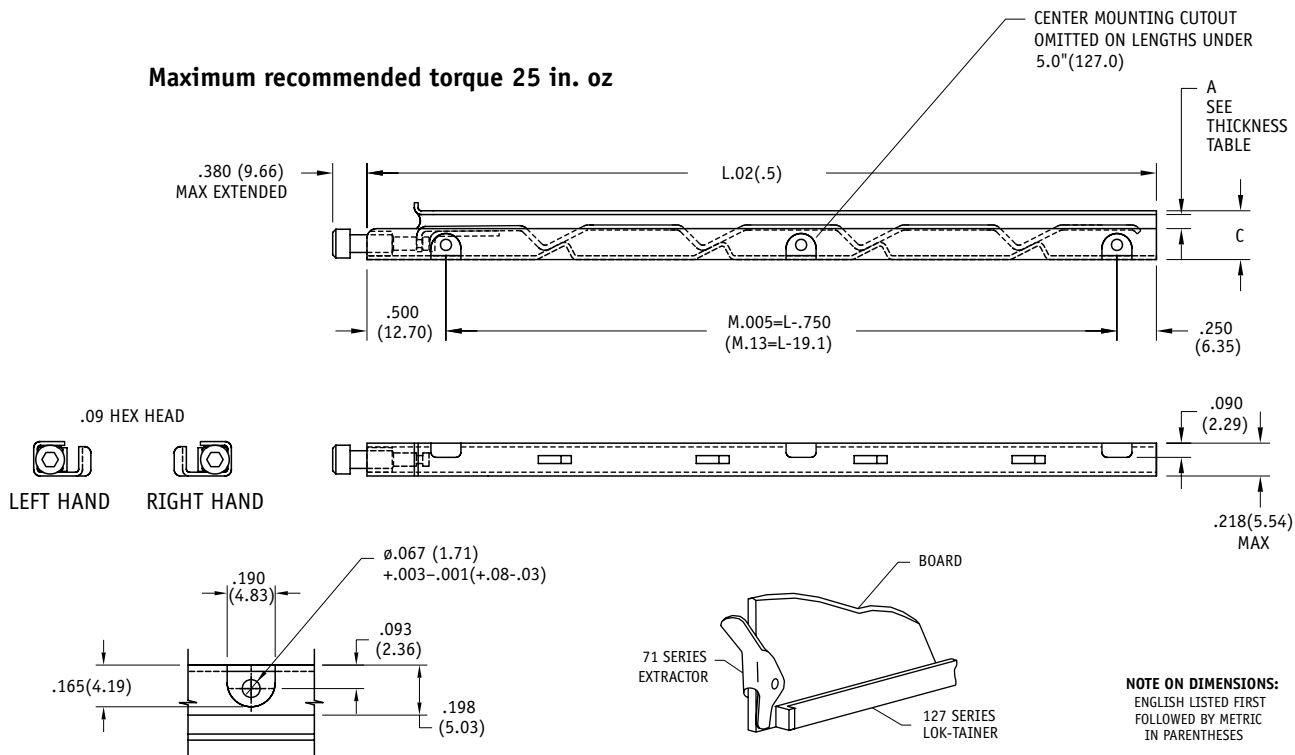
SCREW

Stainless Steel, Passivate Finish

**MODERATE SHOCK & VIBRATION APPLICATIONS
LOW HEAT DISSIPATION**



Maximum recommended torque 25 in. oz



MOUNTING HOLE DETAIL

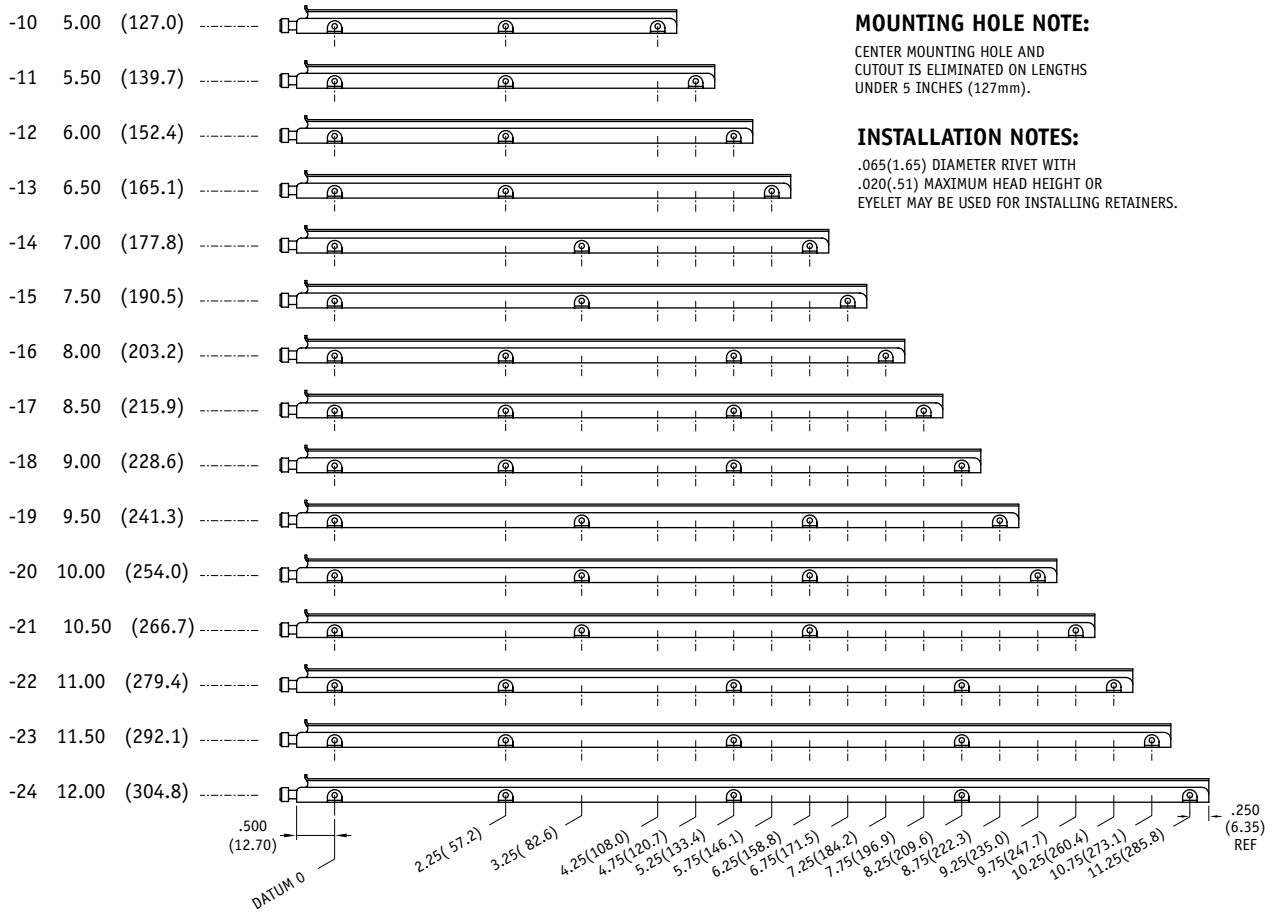
71 SERIES EXTRACTOR

OPTIONAL/NOT TO SCALE

NOTE ON DIMENSIONS:
ENGLISH LISTED FIRST
FOLLOWED BY METRIC
IN PARENTHESES

TOLERANCES:
UNLESS OTHERWISE SPECIFIED
.XXX(.XX)=.01(.25)
.XX(.X) =.02(.5)

MOUNTING HOLE DIMENSIONS 127 SERIES



Part Number Code

Series 127 Lok-Tainer Screw-Actuated 127

Housing Material
Select from Materials Table ③ _____

Board Thickness
Select dash number from Board Thickness Table ② _____

Length
In 1/2" increments _____ -6 (3") thru -24 (12")
In 12.7mm increments _____ -6 (76.2mm) thru -24 (304.8mm)

Finish
Select dash number from Finish Table ① _____

Screw Action
Left hand (see reference diagram on pg.28) _____ L
Right hand (see reference diagram on pg.28) _____ R

Part Number Code example: 127B-4-12-6-R

Series 127 Screw-actuated Lok-Tainer, Beryllium Copper housing with flange, 6.00in(152.4mm) long, Nickel plate finish, and right hand screw action.

① FINISH TABLE

CONTACT FACTORY FOR OTHER FINISHES

DASH #	FINISH (see pg.9 for RoHS Compliance)
NONE	SILVER PLATE PER QQ-S-365, TYPE III, GRADE A
-1	NONE
-2	EBANOL PER MIL-F-495 FOR BERYLLIUM COPPER PER MIL-C-13924 FOR STEEL
-4	COPPER PLATE PER MIL-C-14550, CLASS 2
-5	GOLD PLATE PER MIL-G-45204, TYPE 1, CLASS 1
-6	NICKEL PLATE PER QQ-N-290, CLASS 1, GRADE G, BRIGHT
-7	ZINC PLATE CLEAR CHROMATE, PER ASTM-B-633, Fe/Zn 8
-8	ZINC PLATE YELLOW CHROMATE, PER ASTM-B-633 Fe/Zn 8

NOTE: No finish (-1) not available with "S" Steel material

② BOARD THICKNESS TABLE

DASH #	A		C
	MIN	MAX	
-2	.025(0.64)	.070(1.78)	.309(7.85)
-4	.087(2.21)	.132(3.36)	.376(9.55)

③ MATERIALS TABLE

CODE LETTER	MATERIAL	WEIGHT
B	BERYLLIUM COPPER, 1/4H PER, ASTM-B-194	.116 oz/in (1.29 gm/cm)
S	STEEL PER, ASTM-A-366	EITHER MATERIAL

**FOR MECHANICAL AND THERMAL PERFORMANCE
SEE THE TECHNICAL APPLICATIONS SECTION PAGES 77-94**