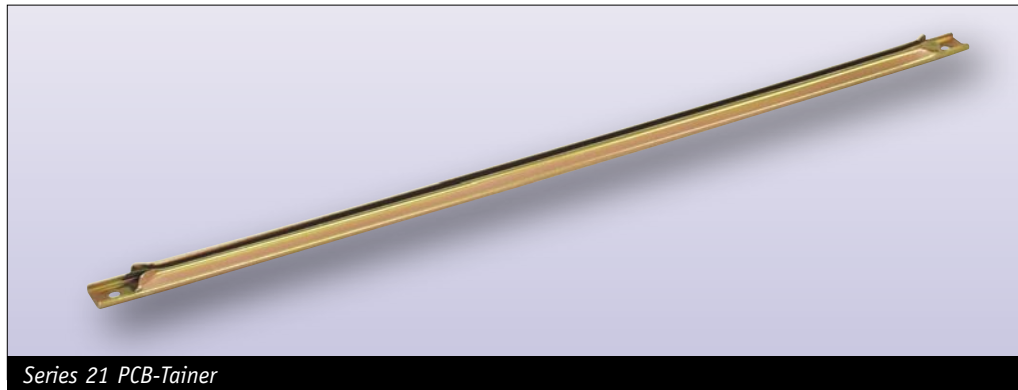


FEATURES

- Narrow profile
- Flared entry
- Choice of two materials
- Choice of seven finishes
- Screw, rivet, eyelet or adhesive mounting
- Spring design to retain PC cards
- Wide entrance for easy card insertion
- Narrow .125 x .190 section



Series 21 PCB-Tainer

APPLICATIONS

- Designed for moderate shock and vibration environments
- Electrically conductive
- Designed for low heat dissipation

For mechanical and thermal performance data see the Technical Applications section pages 77-94

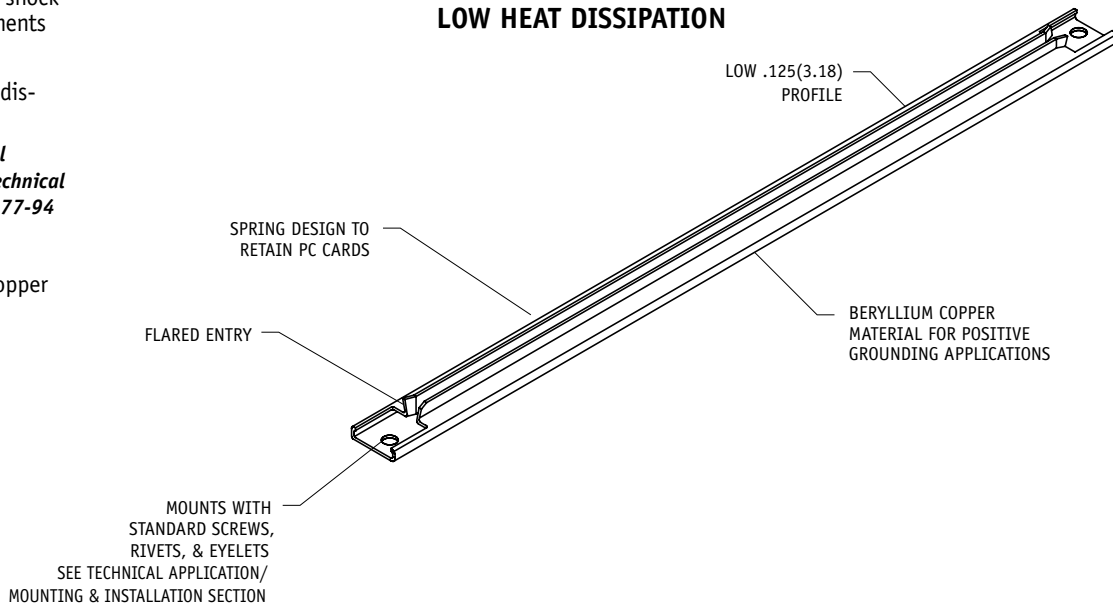
MATERIAL

.006(.15) Beryllium Copper

WEIGHT

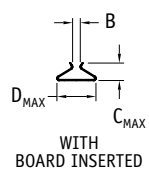
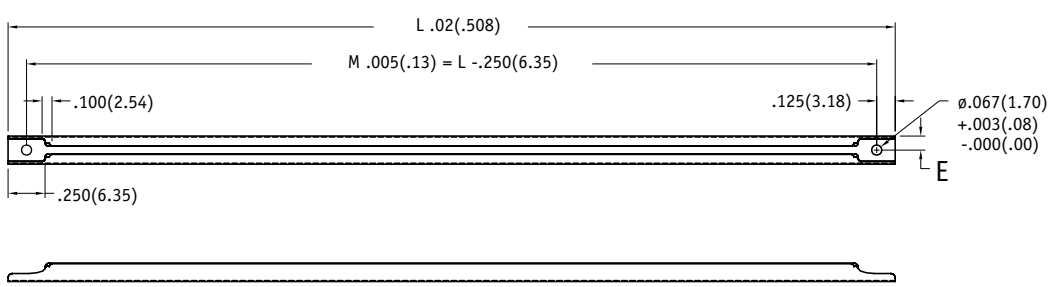
.012 oz/in
(0.14 gm/cm)
Either material

**SHOCK & VIBRATION APPLICATIONS
LOW HEAT DISSIPATION**



NOTE ON DIMENSIONS:
ENGLISH LISTED FIRST
FOLLOWED BY METRIC
IN PARENTHESES

TOLERANCES:
UNLESS OTHERWISE SPECIFIED
.XXX(.XX)=.01(.25)
.XX(.X) =.02(.5)



1 FINISH TABLE

CONTACT FACTORY FOR OTHER FINISHES

DASH #	FINISH (see pg.9 for RoHS Compliance)
NONE	SILVER PLATE PER QQ-S-365, TYPE III, GRADE A
-1	NONE
-4	COPPER PLATE PER MIL-C-14550, CLASS 2
-5	GOLD PLATE PER MIL-G-45204, TYPE 1, CLASS 1
-6	NICKEL PLATE PER QQ-N-290, CLASS 1, GRADE G, BRIGHT
-7	ZINC PLATE CLEAR CHROMATE, PER ASTM-B-633, Fe/Zn 8
-8	ZINC PLATE YELLOW CHROMATE, PER ASTM-B-633 Fe/Zn 8

2 MATERIALS TABLE

CODE LETTER	MATERIAL
B	BERYLLIUM COPPER, 1/4H PER, ASTM-B-194
BH	BERYLLIUM COPPER, 1/4 HT PER QQ-C-533, HEAT TREATED

3 DIMENSION TABLE

DASH #	BOARD THICKNESS	C MAX	D MAX	E
	B			
-1	.031(0.79)	.130(3.30)	.190(4.83)	.095(2.42)
-2	.063(1.60)	.130(3.30)	.190(4.83)	.095(2.42)
-3	.094(2.39)	.130(3.30)	.200(5.08)	.100(2.54)
-4	.125(3.18)	.130(3.30)	.210(5.33)	.105(2.67)

FOR MECHANICAL AND THERMAL PERFORMANCE SEE THE TECHNICAL APPLICATIONS SECTION PAGES 77-94

Part Number Code

Series 21 PCB-Tainer

21 x -x -x -x

Material

Select Code Letter from Materials Table 2 _____

Board Thickness

Select dash number from Board Thickness Table 3 _____

Length

In 1/2" increments _____ -2 (1") thru -12(6")

In 12.7mm increments _____ -2 (25.4mm) thru -12 (152.4mm)

Finish

Select dash number from Finish Table 1 _____

Order Code example: 21B-3-10-6

21 Series PCB-Tainer, Beryllium Copper, for .094(2.39) board thickness, 5.00 in(127.0mm) long, Nickel Plate finish.